



COMFORT MARTELLINA



Martellina | Handle
Bequille a poignee | Maneta



Manico in alluminio pressofuso; cassa, copricassa e rotore in zama; boccole antifrizione in delrin, perno e viti in acciaio.



Die-cast aluminum handle; zamak body, case and rotor; Delrin low-friction bushing, steel screws and pin.



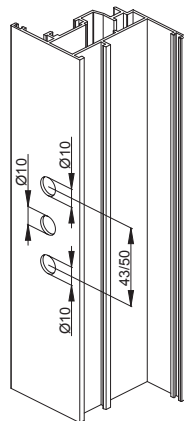
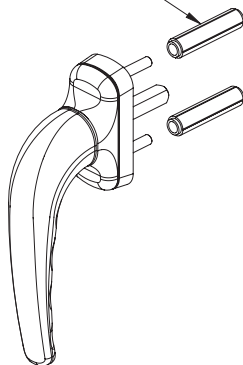
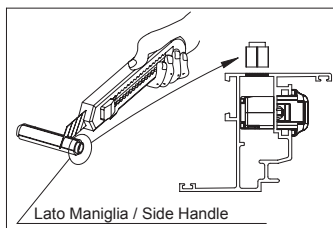
Béquille en aluminium moulé sous pression; caisse, couvre-caisse et rotor en zamak; bagues anti-friction en delrin, vis et pivot en acier.



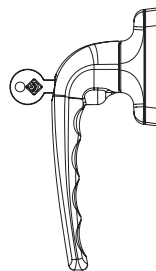
Mango de aluminio fundido a presión; caja, cobertura de caja y rotor de zamac; casquillos antifricción de delrin, tornillos y pernio en acero.



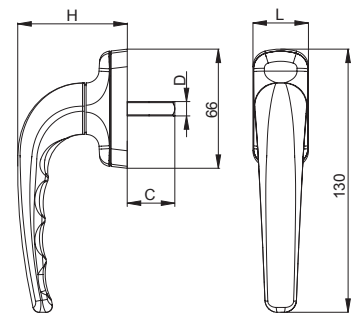
ART.	3070 3071 3070.1 3070.2 3070.25D 3070.25S 3071.2 3075.5 3070.7 3070.9	3070.10
Imballo Package Conditionnement Embalaje	* 20 5 Pz	15 5 Cp
Finiture disponibili Available finishes Finitions disponibles Acabados disponibles	1 2 3 4	1 2 3 4



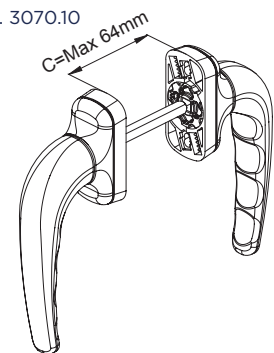
Art. 3070.2 | 3071.2 |
3070.25D | 3070.25S
| 3070.9



Art. 3070 | 3071 | 3071.5 | 3070.7



Art. 3070.10



	DESCRIZIONE DESCRIPTION	ART.	L	H	C	D
	"COMFORT" Martellina per scorrevole parallelo SP 60 "COMFORT" Handle for tilt and slide sp 160	3070.7	31	61	26 mm	7
	"COMFORT" Martellina "COMFORT" Handle	3070	31	61	26 mm	7
	"COMFORT" Martellina con cilindro "COMFORT" Handle with key	3070.2	31	61	26 mm	7
	Martellina con cilindro per scorrevole parallelo SP160 "COMFORT" Handle with key for tilt and slide SP160	3070.9	31	61	26 mm	7
	"COMFORT" Martellina "COMFORT" Handle	3071	31	61	46 mm	7

	DESCRIZIONE DESCRIPTION	ART.	L	H	C	D
	"COMFORT" Martellina con cilindro "COMFORT" Handle with key	3071.2	31	61	46 mm	7
	"COMFORT LOGICA" Martellina DX "COMFORT LOGICA" RX handle	3070.25D	31	61	26 mm	7
	"COMFORT LOGICA" Martellina SX "COMFORT LOGICA" LX handle	3070.25S	31	61	26 mm	7
	"COMFORT" Doppia martellina "COMFORT" Double handle	3070.10	31	61	Max 64	7
	"COMFORT" Martellina "COMFORT" Handle	3070.5	31	61	46 mm	8