



LINEA FAST LOCK INOX

CHIUSURA MULTIPUNTO A MONTAGGIO RAPIDO PER SCORREVOLI



Chiusura multipunto a montaggio rapido per scorrevoli | Fast mounting multipoint closure for sliding units | Fermeture multipoints a montage rapide pour coulissants | Cierre multipunto de montaje rápido para correderas



Chiusura multipunto con incorporato il dispositivo di movimentazione. Chiusura, prolunga e riscontri in acciaio inox, camme e viti in acciaio e clip in nylon.



Multipoint closure with movement mechanism inside. Closure, extension and plates in stainless steel, cams and screws in steel with nylon clips.



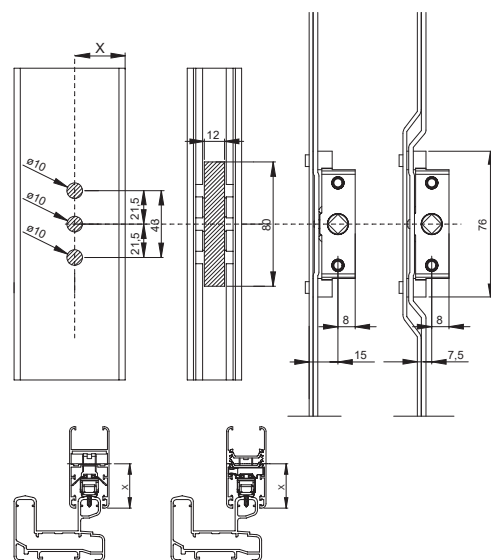
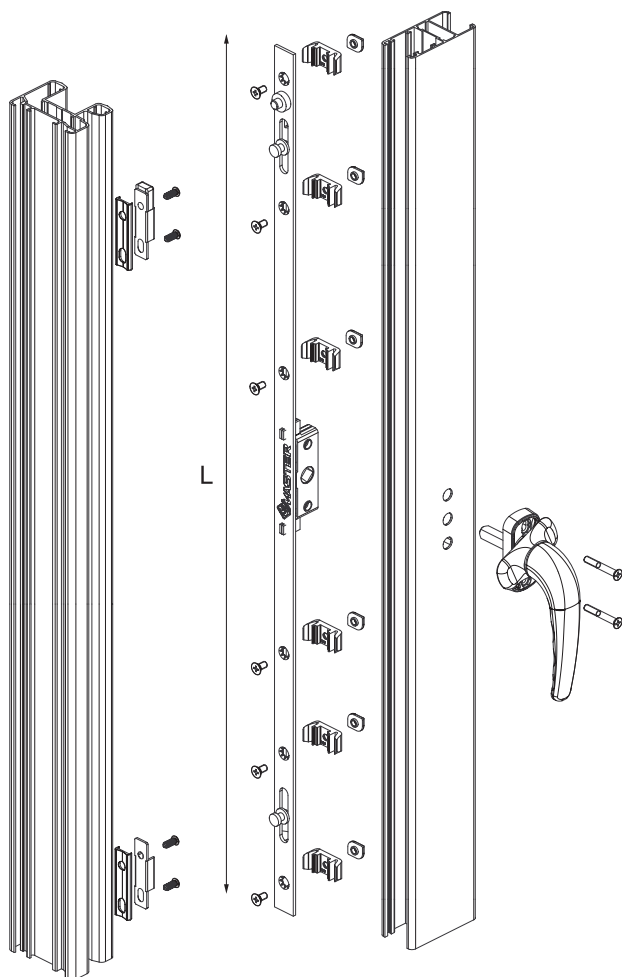
Fermeture multipoints avec dispositif de mouvement. Fermeture, prolonge et gâches en acier inox, cames et vis en acier et clip en nylon.



Cierre multipunto con mecanismo de movimiento incluido. Cierre, extensión y cerraderos en acero inoxidable, placas y tornillos en acero y clip de nylon.



ART.	6380A 6381A 6382A 6384A 6387A 6390A 6391A 6392A 6394A						KIT CHIUSURA		
							TUTTI ALL TOUS TODOS		
Imballo Package Conditionnement Embalaje	4 Pz						8 Kit		
Finiture disponibili Available finishes Finitions disponibles Acabados disponibles	2	3	4	2	3	4	2	3	4



ART.	(L) LUNGHEZZA LENGTH	PUNTI DI CHIUSURA CLOSURE POINTS	ALTEZZA MINIMA ANTA MINIMUM SHUTTER HEIGHT	ENTRATA BACKSET
6380A	210 mm	1 punto	360 mm	15 mm
6381A	600 mm	2 punti	750 mm	15 mm
6382A	1000 mm	2 punti	1150 mm	15 mm
6384A	1800 mm	3 punti	1950 mm	15 mm
6390A	270 mm	1 punto	420 mm	7,5 mm
6391A	600 mm	2 punti	750 mm	7,5 mm
6392A	1000 mm	2 punti	1150 mm	7,5 mm
6394A	1800 mm	3 punti	1950 mm	7,5 mm

ADATTABILITÀ SU PROFILI IN ALLUMINIO ADAPTABILITY ON ALUMINIUM PROFILES								
ESTRUSORE EXTRUDER	SERIE SERIES	KIT PER ART. 6380A 6390A	KIT PER ART. 6381A 6391A	KIT PER ART. 6382A 6392A	KIT PER ART. 6384A 6394A	X ART. 639X	X ART. 638X	KIT PROLUNGA INOX 6387
		1 PUNTO 1 POINT	2 PUNTI 2 POINTS	2 PUNTI 2 POINTS	3 PUNTI 3 POINTS			1 PUNTO 1 POINT
ALCAN	Abithal Runner	6390A.2	6391A.2	6392A.2	6394A.2	30	37,5	6390A.2
	Abithal Runner 61 - 90 planare	6390A.7	6391A.7	6392A.7	6394A.7	32	n.a.	6390A.7
ALEXIA	Alexia Slide 650 S	6390A.20	6391A.20	6392A.20	6394A.20	31,5	39	6390A.20
	Alexia Slide 650 TT	6390A.20	6391A.20	6392A.20	6394A.20	31,5	39	6390A.20
ALL.CO	Export 60 S	6390A.4	6391A.4	6392A.4	6394A.4	28	n.a.	6390A.4
	KS50	6390A.2	6391A.2	6392A.2	6394A.2	31	n.a.	6390A.2
	Triall.co 65	6390A.20	6391A.20	6392A.20	6394A.20	31,5	39	6390A.20
	Triall.co 65 TT	6390A.20	6391A.20	6392A.20	6394A.20	31,5	39	6390A.20
ALUK GROUP	SC 70N	6390A.2	6391A.2	6392A.2	6394A.2	31	n.a.	6390A.2
	SC 95N	6390A.39	6391A.39	6392A.39	6394A.39	29	36	6390A.39
	SC 95TT	6390A.39	6391A.39	6392A.39	6394A.39	29	36	6390A.39
ALUMEC	ZN7 - 32	6390A.6	6391A.6	6392A.6	6394A.6	30	38	6390A.6
	ZN7 - 41 TT	6390A.1	6391A.1	6392A.1	6394A.1	31	38	6390A.1
CLL	Tecno 70 Slide TT	6390A.31	6391A.31	6392A.31	6394A.31	30	37,5	6390A.31
	Tecno 90 Slide TT	6390A.30	6391A.30	6392A.30	6394A.30	29	36,5	6390A.30
DFV	Classic Slide 650 S	6390A.20	6391A.20	6392A.20	6394A.20	31,5	39	6390A.20
	Classic Slide 650 TT	6390A.20	6391A.20	6392A.20	6394A.20	31,5	39	6390A.20
ETA	Eta 48 S	6390A.7	6391A.7	6392A.7	6394A.7	29	36,5	6390A.7
	Start 900 S	6390A.20	6391A.20	6392A.20	6394A.20	31,5	39	6390A.20
	Start 900 STT	6390A.20	6391A.20	6392A.20	6394A.20	31,5	39	6390A.20
GASTALDELLO SISTEMI	EUROline 60 SN	6390A.26	6391A.26	6392A.26	6394A.26	31	38,5	6390A.26
	EUROline 90 SN	6390A.42	6391A.42	6392A.42	6394A.42	30	37,5	6390A.42
GEAL	HPSLIK 62	6390A.85	6391A.85	6392A.85	6394A.85	31	38,5	6390A.85
HYDRO	Domal 40 S	6390A.4	6391A.4	6392A.4	6394A.4	31,5	n.a.	6390A.4
	Domal Slide 56 (anta 26255)	6390A.5	6391A.5	6392A.5	6394A.5	30	37,5	6390A.5
	Domal Slide 80	6390A.1	6391A.1	6392A.1	6394A.1	30	37,5	6390A.1
	Domal Slide PA 80	6390A.1	6391A.1	6392A.1	6394A.1	30	37,5	6390A.1
IBLEA COLOR GROUP	Ekü Vuerre 100 STT	6390A.59	6391A.59	6392A.59	6394A.59	30	37,5	6390A.59
INDINVEST	Alpha 560	6390A.2	6391A.2	6392A.2	6394A.2	31	n.a.	6390A.2
	Gold 650 S	6390A.20	6391A.20	6392A.20	6394A.20	31	38,5	6390A.20
	Gold 650 ST	6390A.20	6391A.20	6392A.20	6394A.20	31	38,5	6390A.20
METRA	NC 60 Int.	6390A.4	6391A.4	6392A.4	6394A.4	31,5	n.a.	6390A.4
	NC 60 STH	6390A.24	6391A.24	6392A.24	6394A.24	28,5	36	6390A.24
	NC 70 S	6390A.25	6391A.25	6392A.25	6394A.25	29	36,5	6390A.25
PASSERINI	Skeit 60	6390A.2	6391A.2	6392A.2	6394A.2	31	n.a.	6390A.2
	Skeit 60 super (anta da 32)	6390A.2	6391A.2	6392A.2	6394A.2	31	n.a.	6390A.2
	Skeit 60 super (anta da 36)	6390A.5	6391A.5	6392A.5	6394A.5	32	39,5	6390A.5
	Skeit 60 super TH	6390A.23	6391A.23	6392A.23	6394A.23	30	37,5	6390A.23
PONZIO	Sliding 600 (binari aperti)	6390A.26	6391A.26	6392A.26	6394A.26	31	38,5	6390A.26
	Sliding 600 (binari chiusi)	6390A.5	6391A.5	6392A.5	6394A.5	32,5	40	6390A.5
	Sliding 900	6390A.42	6391A.42	6392A.42	6394A.42	30	37,5	6390A.42
	Sliding 900 TT	6390A.42	6391A.42	6392A.42	6394A.42	30	37,5	6390A.42
PROFILATI	PE 60 Slide	6390A.2	6391A.2	6392A.2	6394A.2	30,5	n.a.	6390A.2
	PE 70 Slide	6390A.21	6391A.21	6392A.21	6394A.21	32	39,5	6390A.21
	PE 70 Slide TT	6390A.21	6391A.21	6392A.21	6394A.21	32	39,5	6390A.21

ADATTABILITÀ SU PROFILI IN ALLUMINIO
ADAPTABILITY ON ALUMINIUM PROFILES

ESTRUSORE EXTRUDER	SERIE SERIES	KIT PER ART. 6380A 6390A	KIT PER ART. 6381A 6391A	KIT PER ART. 6382A 6392A	KIT PER ART. 6384A 6394A	X ART. 639X	X ART. 638X	KIT PROLUNGA INOX 6387
		1 PUNTO 1 POINT	2 PUNTI 2 POINTS	2 PUNTI 2 POINTS	3 PUNTI 3 POINTS			1 PUNTO 1 POINT
RALOX	Ayrton 60	6390A.2	6391A.2	6392A.2	6394A.2	32,5	n.a.	6390A.2
	Ayrton 60 TT	6390A.27	6391A.27	6392A.27	6394A.27	32	39,5	6390A.27
SAPA	Win 65S	6390A.21	6391A.21	6392A.21	6394A.21	31,5	39	6390A.21
	Win 65S TT	6390A.21	6391A.21	6392A.21	6394A.21	31,5	39	6390A.21
	Win 90S	6390A.41	6391A.41	6392A.41	6394A.41	30,5	38	6390A.41
	Win 90S TT	6390A.41	6391A.41	6392A.41	6394A.41	30,5	38	6390A.41
TOMA	Atlantis 78 S	6390A.11	6391A.11	6392A.11	6394A.11	30	37,5	6390A.11
TP PROFILATI	Ekos 60 STH	6390A.20	6391A.20	6392A.20	6394A.20	31	38,5	6390A.20

ADATTABILITÀ SU PROFILI IN ALLUMINIO LEGNO
ADAPTABILITY ON ALUMINIUM- WOOD PROFILES

ESTRUSORE EXTRUDER	SERIE SERIES	KIT PER ART. 6380A 6390A 6387A	KIT PER ART. 6381A 6391A	KIT PER ART. 6382A 6392A	KIT PER ART. 6384A 6394A	X PER ART. 639X	X PER ART. 638X	KIT PROLUNGA INOX 6387
		1 PUNTO 1 POINT	2 PUNTI 2 POINTS	2 PUNTI 2 POINTS	3 PUNTI 3 POINTS			1 PUNTO 1 POINT
ALCAN	Abithal Euro Runner Wood	6390A.5	6391A.5	6392A.5	6394A.5	29	36,5	6390A.5
	Abithal Runner Wood	6390A.7	6391A.7	6392A.7	6394A.7	31,5	39	6390A.7
ALL.CO	All.co Wood S	6390A.20	6391A.20	6392A.20	6394A.20	31,5	39	6390A.20
ETA	Start 1000 WS	6390A.20	6391A.20	6392A.20	6394A.20	31,5	39	6390A.20
HYDRO	Domal Wood Slide	6390A.4	6391A.4	6392A.4	6394A.4	31,5	n.a.	6390A.4
IBLEA COLOR GROUP	Ekü Vuerre 100 SWTT	6390A.59	6391A.59	6392A.59	6394A.59	30	37,5	6390A.59
INDINVEST	Gold Country S	6390A.20	6391A.20	6392A.20	6394A.20	31	38,5	6390A.20
MEXALL	MX 80S	6390A.4	6391A.4	6392A.4	6394A.4	31,5	n.a.	6390A.4
PROFILATI	Ekü Woodart Slide	6390A.21	6391A.21	6392A.21	6394A.21	32	39,5	6390A.21
SPI	Dual	6390A.10	6391A.10	6392A.10	6394A.10	30,5	38	6390A.10
STARWOOD	Starpur SW 75 S	6390A.2	6391A.2	6392A.2	6394A.2	31,5	39	6390A.2
TOMA	Atlantis Wood	6390A.8	6391A.8	6392A.8	6394A.8	33	40,5	6390A.8
	Atlantis Wood S TT	6390A.8	6391A.8	6392A.8	6394A.8	33	40,5	6390A.8
TP PROFILATI	Ekos 70STHW	6390A.20	6391A.20	6392A.20	6394A.20	31	38,5	6390A.20
VARIE VARIOUS	Penta Wood 60	6390A.2	6391A.2	6392A.2	6394A.2	32	n.a.	6390A.2
	Zaffiro	6390A.7	6391A.7	6392A.7	6394A.7	31,5	39	6390A.7

FAST LOCK CON UNCINI | FAST LOCK WITH HOOK

ESTRUSORE EXTRUDER	SERIE SERIES	Kit per art. 6370E	Kit per art. 6371E	Kit per art. 6372E	Kit per art. 6374E	X
Alcan	ECO slide 106 HP	6370.5	6371.5	6372.5	6374.5	34
Alexia	Alexia slide HT 110	6370.5	6371.5	6372.5	6374.5	34
All.CO	All.CO TEC S	6370.5	6371.5	6372.5	6374.5	34
Alsistem	Planet slide 80 TT	6370.11	6371.11	6372.11	6374.11	34
Alsistem	Planet slide 106 TT	6370.11	6371.11	6372.11	6374.11	34
CLL	Tecno slide 116 TT	6370.11	6371.11	6372.11	6374.11	34
Colma	mas 106 TT	6370.5	6371.5	6372.5	6374.5	34
DFV	Ecowin Slide 100 TH	6370.5	6371.5	6372.5	6374.5	34
EKU Sistemi (Gruppo Profilati)	eku 100 slide	6370.5	6371.5	6372.5	6374.5	34
	eku 100 slide TT	6370.5	6371.5	6372.5	6374.5	34
ETA	AS FIREM 888 T1	6370.5	6371.5	6372.5	6374.5	34
GEAL	HP Slick	6370.11	6371.11	6372.11	6374.11	34
	Skeit 110 TH	6370.11	6371.11	6372.11	6374.11	34
Presal Extrusion	PR 45 S	6370.5	6371.5	6372.5	6374.5	34
TOMA	RS Slide 100 TT	6370.5	6371.5	6372.5	6374.5	34

n.a. = Profili non adattabili alle fast Lock entrata 15 mm art. 638X
n.a. = Profiles not suitable for Fast Lock backset 15mm art. 638X
n.a. = Profils non adaptables aux Fast Lock entrée 15 mm art. 638X
n.a. = Perfiles no adaptables a las Fast Lock entrada 15 mm art. 638X